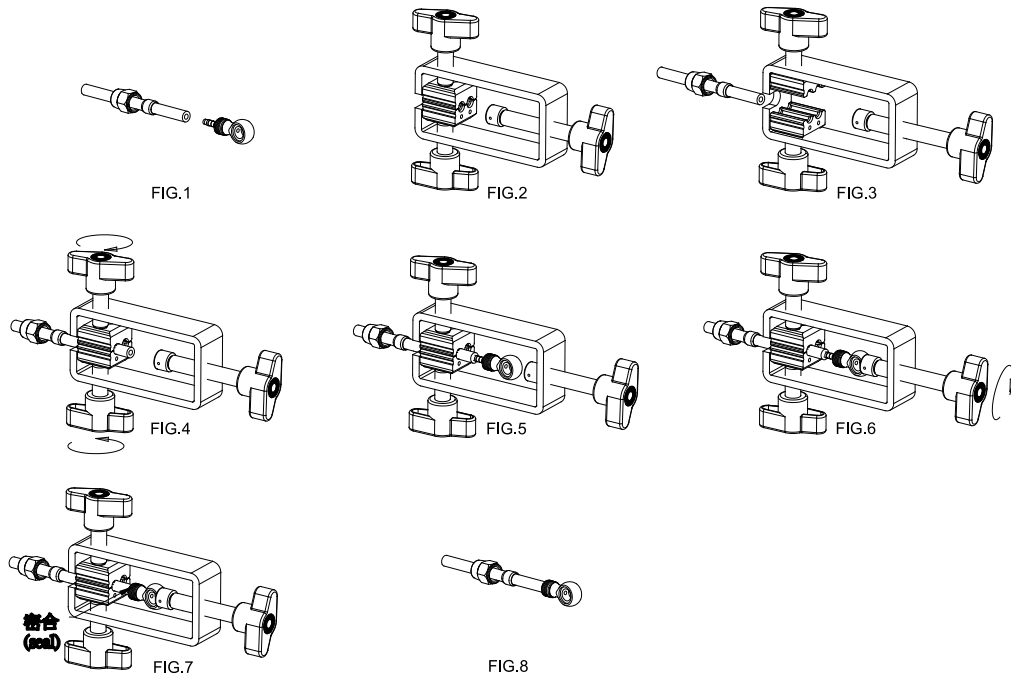


BENGAL DISC BRAKE B010T Tool Set Instruction (For Banjo unit)

1. Installation of hose and Banjo insert.(FIG.1)
2. Prepare B010T Tool Set.(FIG.2)
3. Relief the clamp by rotating the upper and lower knobs (the clamp should be replaced to 5.0 or 5.4 according to the hose)(FIG.3).
4. Rotate the knobs to make the clamp tightening the hose. Adjust the hose to be central and symmetrical with Tool set(FIG.4).
5. Slightly insert the tip of the Banjo insert into the hose(FIG.5).
6. Rotate the knob at the long end to make the top block move forward and push the Banjo insert(FIG.6)
7. Insert the tip of the Banjo insert completely into the hose until the end of the hose(FIG.7).
8. Finish installation.(FIG.8)

B010T 工具組說明書 (油管裝胡琴接頭)

- 1.油管與胡琴接頭之安裝(FIG.1)
- 2.取出B010T 工具組(FIG.2)
- 3.旋轉上下兩側旋鈕將夾塊打開(夾塊需配合油管規格更換為5.0 或5.4之尺寸)(FIG.3)
- 4.旋轉旋鈕使夾塊夾緊油管，並使油管與工具組置中對稱(FIG.4)
- 5.將胡琴接頭之裝配端稍微插入油管(FIG.5)
- 6.旋轉長端之旋鈕使頂塊往前推，並推動胡琴接頭(FIG.6)
- 7.至胡琴接頭之裝配端完全插入油管，並與油管端面密合(FIG.7)
- 8.取出油管，完成安裝(FIG.8)



BENGAL DISC BRAKE B010T Tool Set Instruction (For straight connector)

1. Installation of hose and connecting insert.(FIG.1)
2. Prepare B010T Tool Set.(FIG.2)
3. Relief the clamp by rotating the upper and lower knobs (the clamp should be replaced to 5.0 or 5.4 according to the hose).(FIG.3)
4. Rotate the knobs to make the clamp tightening the hose. Adjust the hose to be central and symmetrical with Tool set.(FIG.4)
5. Slightly insert the tip of the connecting insert into the hose.(FIG.5)
6. Rotate the knob at the long end to make the top block move forward and push the connecting insert. (FIG.6)
7. Insert the tip of the connecting insert completely into the hose until the end of the hose.(FIG.7)
8. Finish installation.(FIG.8)

B010T 工具組說明書 (油管裝直接頭)

- 1.油管與油管接頭之安裝(FIG.1)
- 2.取出B010T 工具組(FIG.2)
- 3.旋轉上下兩側旋鈕將夾塊打開(夾塊需配合油管規格更換為5.0 或5.4之尺寸)(FIG.3)
- 4.旋轉旋鈕使夾塊夾緊油管，並使油管與工具組置中對稱(FIG.4)
- 5.將油管接頭之裝配端稍微插入油管(FIG.5)
- 6.旋轉長端之旋鈕使頂針往前推動油管接頭(FIG.6)
- 7.至油管接頭之裝配端完全插入油管，並與油管端面密合(FIG.7)
- 8.取出油管，完成安裝(FIG.8)

