

BENGAL Warranty Service Center And Distributor Information

Brazil Distributor

J.T.COM IMP E EXP LTDA
TEL/FAX:+55-11-5678-2694
Website: www.joytech.com.br

China General Distributor

(China Warranty Service Center)
YIH JENG SING BICYCLE COMPONENTS (C.Z.) CO., LTD
No.37, Aoyuan Road, Xinbei District, Changzhou,
Jiangsu, 213001, China
TEL/FAX: +86 0519-83532079
Contact: robert6402@kimo.com

China Distributor

BAINA SANFENG VEHICLE INDUSTRY CO.,LTD.
No.608, Hongqiao Road,Kunshan City,
Jiangsu Province, China
TEL: 159-50922601 FAX: 0512-36862651
Contact: sanfengcheye@163.com

Spain & Andorra Distributor

RACING CYCLE
Rua dos Lagoeiros armz 54 2415 -645 Leiria Portugal
Tel:+351 244 027 584 / +351 244 043 616
Contact: info@racingcycle.net

Switzerland Distributor

TheShop4U Distribution Inc., Corp.
P.O Box 1111,CH-2501 Biel/ Biemme
TEL: +41-78-666-42-17 FAX:+41-78-666-42-17
Contact: info@theshop4u.ch

Taiwan Distributor

HARVEST YEAR TECHNOLOGY COMPANY
No.70-3, Zhanglu rd., Xiushui Township,
Changhua County 504, Taiwan
TEL: +886-4-7691929 FAX: +886-4-7691858
Contact: hy.bike88@msa.hinet.net

USA & Canada Warranty Service Center

KHS, Inc
2840 Harcourt St.Rancho Dominguez, Ca. 90221 USA
TEL: +1-800-347-7854*212
Contact: rogerj@khsbicycles.com

Portugal Distributor

RACING CYCLE
Rua dos Lagoeiros armz 54 2415 -645 Leiria Portugal
Tel:+351 244 027 584 / +351 244 043 616
Contact: info@racingcycle.net



The latest distributor information will be updated , please refer to our website

2022

Bengal Performance Brake Systems
sales@bengalperformance.com.tw
www.bengalperformance.com.tw



Hydraulic Disc Brake

Technical features

- Open hydraulic disc brake system
- Aluminum forged master cylinder and caliper
- Master cylinder with reach adjustment
- "EZ-adjust" hose connector, adjustable up to 180 degrees
- Window for driver easily inspect if pads have worn, clean and mud out
- 2-Piece bracket for easy assembly
- Perfect for XC, TRAIL, AM, FR, DH

ARES 5

Weight

- Master cylinder : 90g
- Caliper : 120g

Rotor

- OD-160C (6-bolt or center lock)
- Optional OD-180C/ OD-203C

Lever

- 1.5 finger blade

Finish

- Black

Fluid

- Mineral

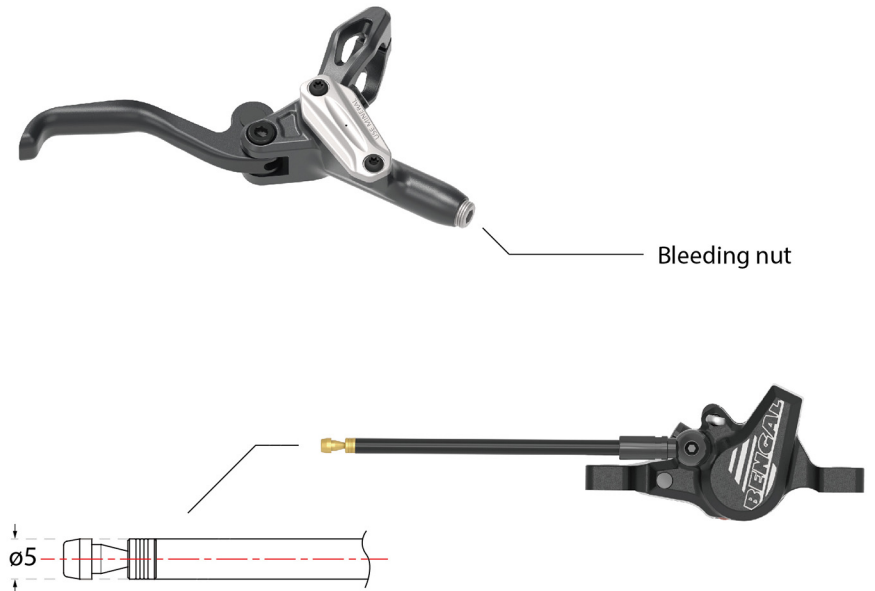
Pad

- Semi-metallic compound
- Tool free reach adjustment (Optional)



Two-piece

"EZ-adjust" hose connector
Adjustable up to 180 degrees



Bleeding nut

The OD of insert joint and the tubing are the same

EZ PLUG IN (Optional) fit a path through for the internal frame

Setp.1



Through the frame

Setp.2



Remove the insert

Setp.3



Unscrew the bolt

Setp.4



Fasten the hose kit

PATENT NO : M518750/ZL201520796991.9

Hydraulic Disc Brake

Technical features

- Open hydraulic disc brake system
- Aluminum forged master cylinder and caliper
- Master cylinder with reach adjustment
- Patented "EZ-out" brake pad replacement
- Window for driver easily inspect if pads have worn, clean and mud out
- Perfect for XC, TRAIL, AM

ARES 3

Weight

- Master cylinder : 102g
- Caliper :120g

Rotor

- OD-160C (6-bolt or center lock)
- Optional OD-180C/ OD-203C

Lever

- 2 finger blade

Finish

- Black

Fluid

- Mineral

Pad

- Semi-metallic compound
- Bell (Optional)
- EZ PLUG IN (Optional)

ARES 3E

Lever

- 2 finger blade

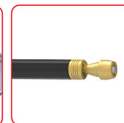
- Bell (Optional)
- EZ PLUG IN (Optional)
- Signal connection switch Perfect for E-bike (Connector types P.11)



Signal connection switch



Bell



EZ PLUG IN



Connector types

Hydraulic Disc Brake

Technical features

- Open hydraulic disc brake system
- Aluminum forged master cylinder and caliper
- Master cylinder with reach adjustment
- Patented "EZ-out" brake pad replacement
- Window for driver easily inspect if pads have worn, clean and mud out
- Perfect for XC, TRAIL, AM

ARES 3B

Weight

- Master cylinder : 105g
- Caliper : 120g

Rotor

- OD-160C (6-bolt or center lock)
- Optional OD-180C/ OD-203C

Lever

- 3 finger blade

Finish

- Black

Fluid

- Mineral

Pad

- Semi-metallic compound
- Bell (Optional)
- EZ PLUG IN (Optional)



ARES 3EB

Lever

- 3 finger blade

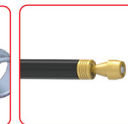
- Bell (Optional)
- EZ PLUG IN (Optional)
- Signal connection switch Perfect for E-bike (Connector types P.11)



Signal connection switch



Bell



EZ PLUG IN



Connector types

Hydraulic Disc Brake



Technical features

- Open hydraulic disc brake system
- Aluminum forged master cylinder and caliper
- Master cylinder with reach adjustment
- Patented "EZ-out" brake pad replacement
- Window for driver easily inspect if pads have worn, clean and mud out
- Lever can be assembled with stop devices(stop pin, or cut-off sensor, or both)
- Perfect for E-BIKE, SPECIAL TYPE

ARES 7+

Weight

- Master cylinder : 100g
- Caliper : 120g

Rotor

- OD-160C
- Optional OD-180C / OD-203C

Lever

- 4 finger blade

Finish

- Black

Fluid

- Mineral

Pad

- Semi-metallic compound

- Bell (Optional)
- EZ PLUG IN (Optional)
- Signal connection switch Perfect for E-bike (Connector types P.11)



Bell

EZ PLUG IN

Connector types

Stop pin



Standard

Large



Technical features

- Open hydraulic disc brake system
- Aluminum forged master cylinder and caliper
- Master cylinder with reach adjustment
- Patented "EZ-out" brake pad replacement
- Window for driver easily inspect if pads have worn, clean and mud out
- One master cylinder with dual caliper
- Lever can be assembled with stop devices(stop pin, or cut-off sensor, or both)
- Perfect for TRICYCLE, PEDICAB, E-BIKE, SPECIAL TYPE

ARES 7.5

Weight

- Master cylinder : 100g
- Caliper : 120g

Rotor

- OD-160C
- Optional OD-180C / OD-203C

Lever

- 4 finger blade

Finish

- Black

Fluid

- Mineral

Pad

- Semi-metallic compound

- Bell (Optional)
- EZ PLUG IN (Optional)
- Signal connection switch Perfect for E-bike (Connector types P.11)



Mechanical Disc Brake

Single piston activation for peak stopping power "PSP"
Non-binding groove proline cable routing that keeps the cable in direct pull between the anchor bolt and the cable housing
Window for driver easily inspect if pads have worn, clean and mud out

MB 700

Technical features

Compact, light weight, 1-piece aluminum forged caliper design
Perfect for : MTB, URBAN

Weight : 166g
Finish : Black
Rotor : OD-160C(6-bolt or center lock)
Optional OD-180C/ OD-203C
Pad : Semi-metallic compound



MB 500A

Technical features

2-piece uniform casting process design
Perfect for : MTB, URBAN, TRICYCLE, PEDICAB, E-BIKE

Weight : 214g
Finish : Black
Rotor : OD-160C (6-bolt or center lock)
Optional OD-180C/ OD-203C
Pad : Semi-metallic compound



MB 700T

Technical features

Compact, light weight, 1-piece aluminum forged caliper design
Perfect for : Road bike, Touring bike, Cyclocross bike
and STI lever bike

Weight : 166g
Finish : Black
Rotor : OD-140L (6-bolt or center lock)
Optional OD-160L / OD-180L / OD-203L
Pad : Semi-metallic compound



MB 500B

Technical features

Special design for the right side mount
2-piece uniform casting process design
Perfect for : MTB, URBAN, TRICYCLE, PEDICAB, E-BIKE

Weight : 214g
Finish : Black
Rotor : OD-160C (6-bolt or center lock)
Optional OD-180C/ OD-203C
Pad : Semi-metallic compound



MB 600

Technical features

2-piece uniform casting process design
Perfect for : MTB, URBAN

Weight : 208g
Finish : Black
Rotor : OD-160C (6-bolt or center lock)
Optional OD-180C/ OD-203C
Pad : Semi-metallic compound



MB 500

Technical features

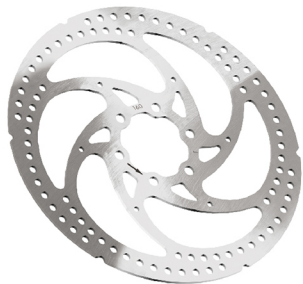
2-piece uniform casting process design
Perfect for : MTB, URBAN

Weight : 212g
Finish : Black
Rotor : OD-160C (6-bolt or center lock)
Optional OD-180C/ OD-203C
Pad : Semi-metallic compound



ROTORS

	Wave	6 (C)	12 (L)	
Rotor OD	Size	Weight	Weight	Type
120mm	4"	90g	66g	-
140mm	5"	102g	86g	
160mm	6"	136g	104g	
180mm	7"	173g	134g	
203mm	8"	225g	172g	
220mm	9"	332g	-	Thickness 2.3mm (w/exclusive calipers)



Wave 6 (C)



Wave 12 (L)



BR 301 Center lock adaptor
Fit to under 10mm thru axle

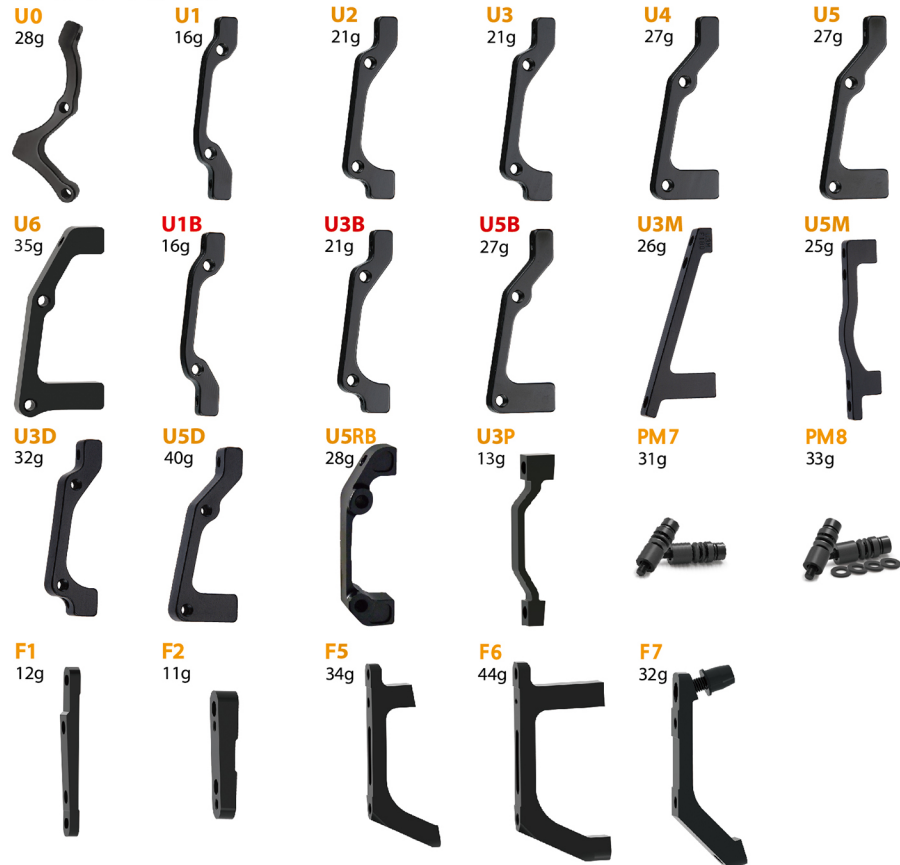


BR 303 Center lock adaptor

Connector types



ADAPTORS



All series Bengal disc brake

Fork / R		IS-51		PM-74		IS-51 (20mm)		IS-51 (mirror)		FM-70	FM-34	FM-70	FM-34
	Caliper	post mount		post mount		post mount		flat mount		post mount		post mount	
	rotor OD	front	rear	front	rear	front	front/rear	front	rear	front	rear	front	rear
5"	140												
	160							F1	DM	F5	F7		
	140	U0	U1										
6"	160	U1	U2	DM	DM		U1B						
	180	U3	U4	U3M/U3P/PM7	U3M/U3P/PM7	U3D	U3B						
	203	U5	U6	U5M	U5M	U5D	U5B						
7"	180			DM	DM								
	200			U3M/U3P/PM7	U3M/U3P/PM7								
	203			PM8	PM8								

DM=Direct Mount

U5RB / Rockshox Boxxer IS mount